

## **RP-IMC811FPB**

### **10/100/1000Base-TX to 100/1000Base-X SFP Industrial PoE+ Media Converter**

RP-IMC811FPB Industrial PoE Converter is a powerhouse of stability and adaptability. Featuring a 10/100/1000BASE-T RJ45 copper port and a slot for 100/1000BASE-X SFP, it adheres to IEEE 802.3af/at standards, delivering up to 30W of PoE power. Its Cold-Design ensures minimal heat generation, enhancing reliability.

Operating flawlessly in temperatures from -40 to 75 degrees Celsius, the RP-IMC811FPB excels in diverse environments. With IP30 industrial case protection, it offers immunity against corrosion and electromagnetic interference, ensuring uninterrupted performance.

Designed for efficiency, the RP-IMC811FPB supports DIN rail or wall mounting, maximizing cabinet space. With its superior performance and rugged build, it's the perfect choice for demanding industrial applications.



## **Features**

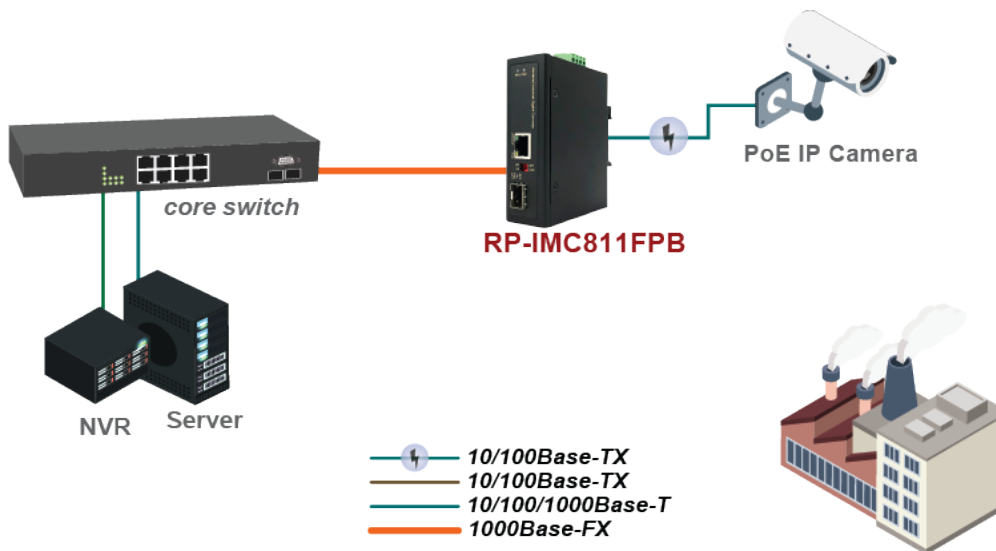
- Redundant Dual DC 48V-56V Power Input
- Supports Link Fault Pass through (LFP) function
- Supports automatically switch mode and converter mode
- Adjustable SFP speed 100M or 1000M
- Surge protection on power input
- ESD protection on RJ-45 port
- Provides Far End Fault function on FX
- Provides increased Noise Immunity
- Operating Temperature: -40°C to +75°C

## Specifications

<b>Standards</b>	<ul style="list-style-type: none"> <li>• IEEE 802.3 10Base-T Ethernet,</li> <li>• IEEE 802.3u 100Base-TX Fast Ethernet</li> <li>• IEEE 802.3ab 1000Base-T Gigabit Ethernet</li> <li>• IEEE 802.3z 1000Base-X Gigabit Ethernet</li> <li>• IEEE802.3x Flow Control and Back Pressure</li> <li>• IEEE802.3af/at PoE</li> </ul>
<b>Switch Architecture</b>	<ul style="list-style-type: none"> <li>• Back-plane (Switching Fabric): 4Gbps</li> </ul>
<b>Data Processing</b>	<ul style="list-style-type: none"> <li>• Ports speed are the same: Converter mode</li> <li>• Ports speed are not the same: Switch mode (store and forward)</li> </ul>
<b>Flow Control</b>	<ul style="list-style-type: none"> <li>• IEEE 802.3x Flow Control and Back Pressure</li> </ul>
<b>MAC Table Size</b>	<ul style="list-style-type: none"> <li>• 1K</li> </ul>
<b>Jumbo Frame</b>	<ul style="list-style-type: none"> <li>• 16KB</li> </ul>
<b>Packet Buffer Size</b>	<ul style="list-style-type: none"> <li>• 512Kbits</li> </ul>
<b>Interface</b>	<ul style="list-style-type: none"> <li>• 1x RJ-45 10/100/1000BaseT(X) PSE with PoE Output power up to 30Watts</li> <li>• 1x 100/1000M SFP slot</li> </ul>
<b>Network Cable</b>	<ul style="list-style-type: none"> <li>• UTP/STP above Cat.5e Cable</li> <li>• EIA/TIA-568 10-ohm (100m)</li> <li>• Fiber Cable (Multi-mode):50/125um,62.5/125um</li> <li>• Fiber Cable (Single-mode): 9/125um</li> </ul>
<b>Protocol</b>	<ul style="list-style-type: none"> <li>• CSMA/CD</li> </ul>
<b>POE Pin Assignment</b>	<ul style="list-style-type: none"> <li>• 30 watts 2 pairs Mode A End Span V+, V+, V-, V- for pin 1, 2, 3, 6</li> </ul>
<b>LED indicators</b>	<ul style="list-style-type: none"> <li>• PW1 (Green), PW2(Green)</li> <li>• SFP Lnk/Act (Green)</li> <li>• RJ-45: Lnk/Act (Green), PoE (Amber)</li> </ul>
<b>DIP Switch</b>	<ul style="list-style-type: none"> <li>• DIP1: Set LFP disabled (Default) / enabled</li> <li>• DIP2: Set SFP speed 1000M (Default) or 100M</li> </ul> <p>Link Fault Pass Through (LFP) is when copper side signal lost or disconnect, fiber side link signal will actively off, when fiber side signal lost or disconnect, copper side link signal will also actively off.</p>
<b>Reverse polarity protection</b>	<ul style="list-style-type: none"> <li>• Present</li> </ul>
<b>Overload current protection</b>	<ul style="list-style-type: none"> <li>• Present</li> </ul>
<b>Power Supply</b>	<ul style="list-style-type: none"> <li>• Redundant Dual DC 48V-56V Power Input</li> </ul>
<b>Power Consumption</b>	<ul style="list-style-type: none"> <li>• 3Watts @48VDC full load without PoE</li> </ul>
<b>Removable Terminal Block</b>	<ul style="list-style-type: none"> <li>• 4 pin contact terminal block for power input</li> <li>• Wire range : 0.34mm<sup>2</sup> to 2.5mm<sup>2</sup></li> <li>• Solid wire (AWG) : 12-24/14-22</li> </ul>

	<ul style="list-style-type: none"> <li>● Stranded wire (AWG) : 12-24/14-22</li> <li>● Wire Strip length: 7-8mm</li> <li>● Torque: 5lb-In/0.5Nm/0.56Nm</li> </ul>
<b>Environment</b>	<ul style="list-style-type: none"> <li>● Operating temperature: -40°C~75°C</li> <li>● Storage temperature: -40°C ~85°C</li> <li>● Operating Humidity: 5% to 95% (Non-Condensing)</li> </ul>
<b>Housing</b>	<ul style="list-style-type: none"> <li>● Rugged Aluminum, IP30 Protection</li> </ul>
<b>Dimension</b>	<ul style="list-style-type: none"> <li>● 103.5 x 32 x 81.5mm (LxWxD)</li> </ul>
<b>Installation mounting</b>	<ul style="list-style-type: none"> <li>● DIN Rail mounting and Wall Mounting</li> </ul>
<b>Safety</b>	<ul style="list-style-type: none"> <li>● IEC EN60950-1</li> </ul>
<b>EMC</b>	<ul style="list-style-type: none"> <li>● CE, FCC, EN 55032/24</li> </ul>
<b>EMI</b>	<ul style="list-style-type: none"> <li>● FCC Part 15 Subpart B Class A, CE EN 55022 Class A</li> </ul>
<b>EMS</b>	<ul style="list-style-type: none"> <li>● IEC 61000-4-2 ESD: Contact: 6KV; Air: 8KV</li> <li>● IEC 61000-4-4 EFT: Power: 2KV; Signal: 2KV</li> <li>● IEC 61000-4-5 Surge: Power: 2KV; Signal: 2KV</li> </ul>
<b>Vibration</b>	<ul style="list-style-type: none"> <li>● EN 50155 / EN 60068-2-6</li> </ul>
<b>Shock</b>	<ul style="list-style-type: none"> <li>● EN 50155 / EN 60068-2-27</li> </ul>
<b>Free Fall</b>	<ul style="list-style-type: none"> <li>● EN 50155 / EN 60068-2-32</li> </ul>

## Application



## Ordering information

**RP-IMC811FPB** 10/100/1000Base-TX to 100/1000Base-X SFP Industrial PoE+ Media Converter (30W)

**REPOTEC CO., LTD.**

3F., No.258, Liancheng Rd., Zhonghe District., New Taipei City 235, Taiwan  
 TEL: 886-2-8227-1888 FAX: 886-2-8227-1818